

~

# Honeywell<sup>®</sup> Sundial<sup>™</sup> Plans

~

## Domestic Central Heating Pipework Schemas

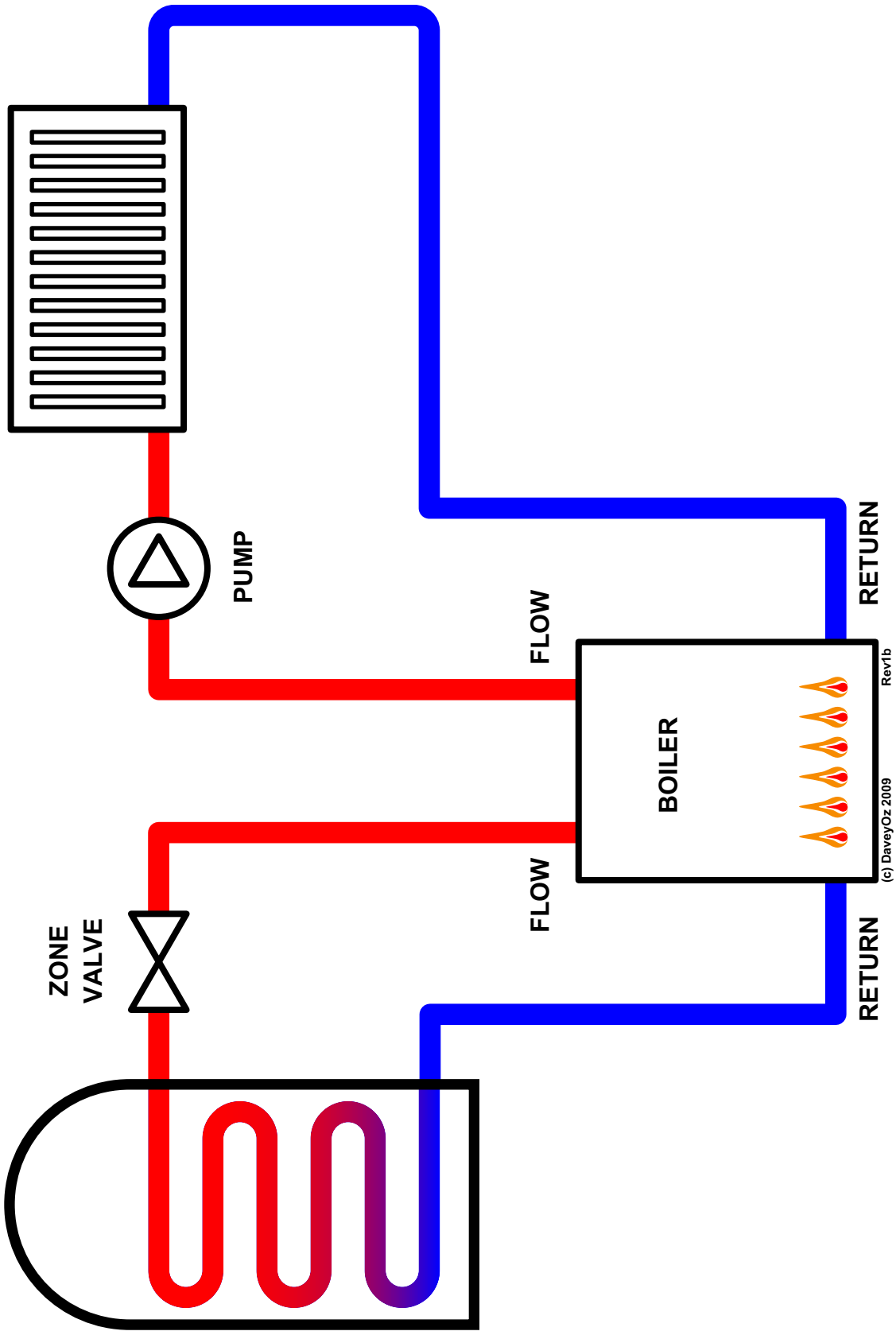
**1st Edition**  
**10 Dec 09**

**Note: This document has neither been produced nor endorsed by Honeywell. The information in this document is provided as is with no implied warranty. Use the information herein entirely at your own risk.**

**The Honeywell name and Sundial brand are copyright Honeywell International Inc. All rights of the copyright holder are acknowledged by the author of this document.**

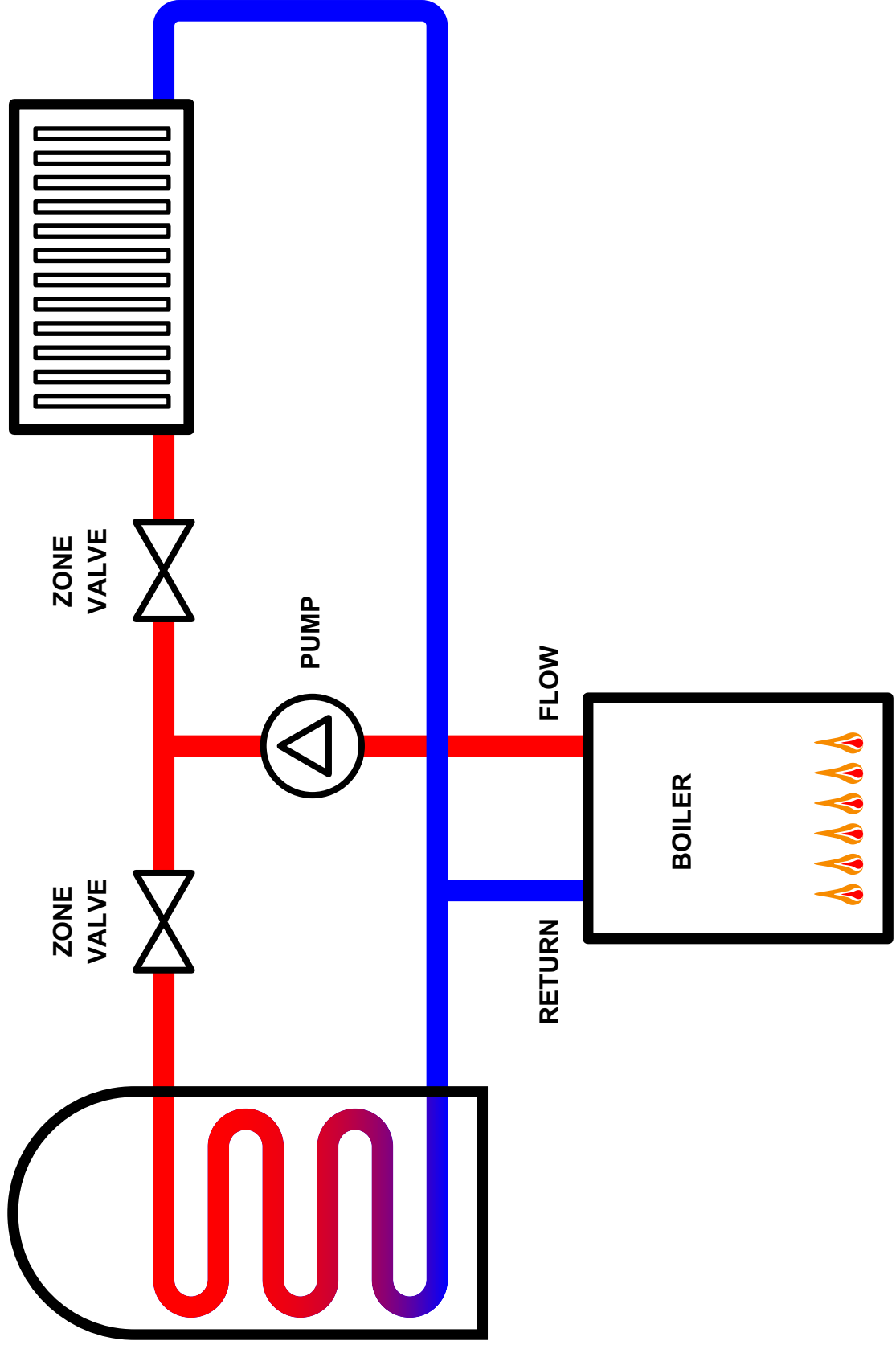
**Artwork (c) DaveyOz 2009**

'C' PLAN

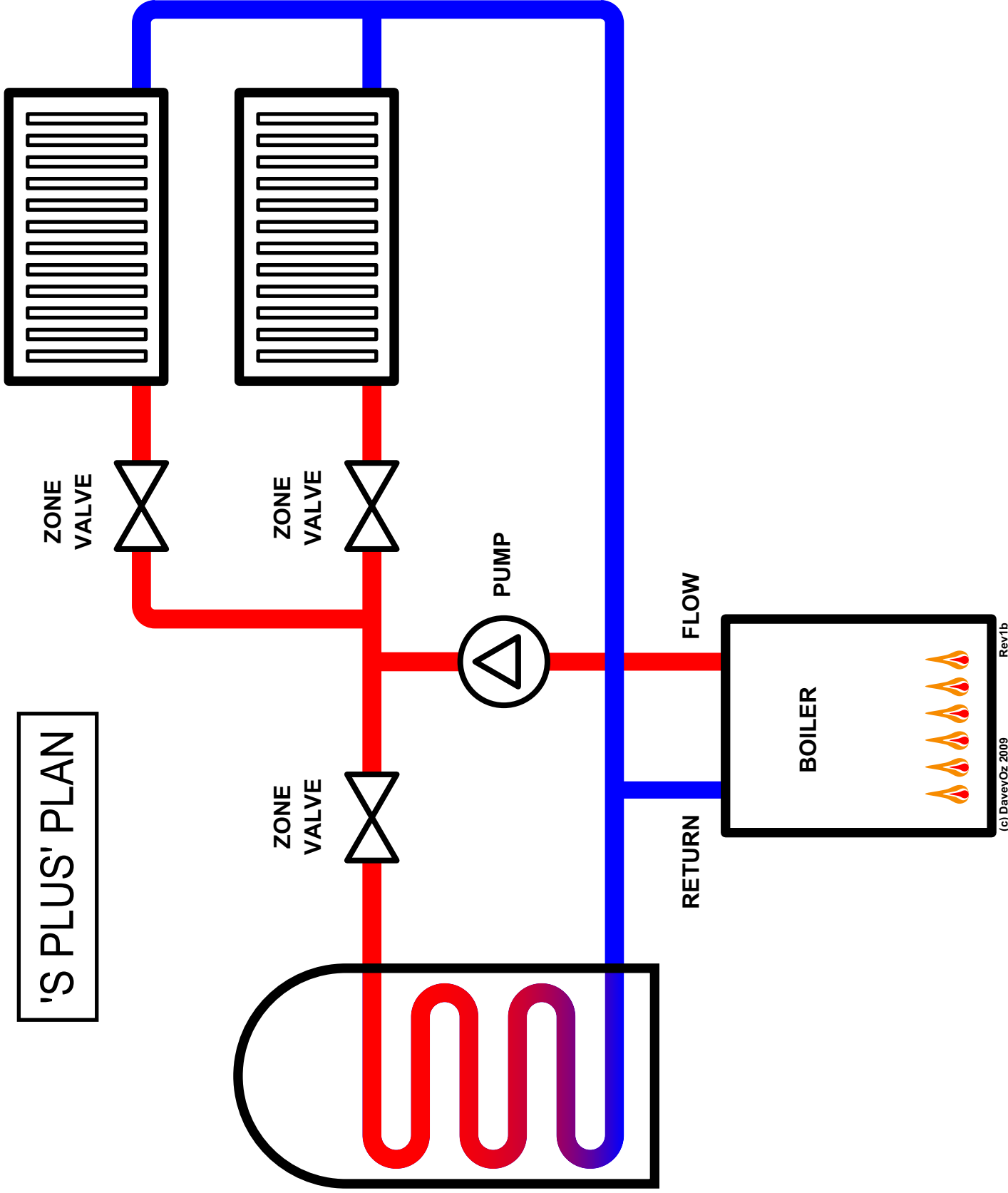


Rev1b  
(c) DaveyOz 2009

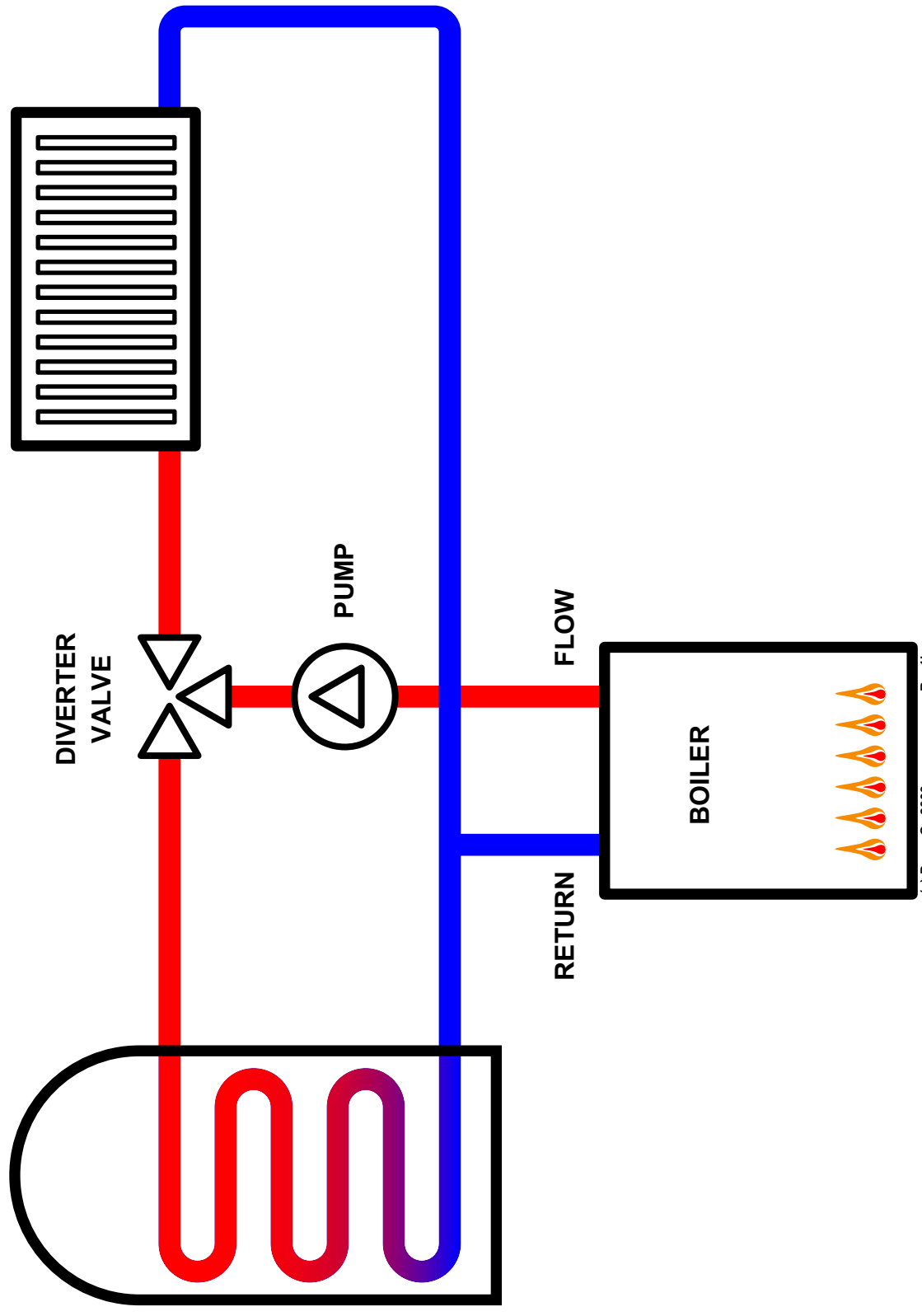
'S' PLAN



# 'S PLUS' PLAN



'W' PLAN



'Y' PLAN

